

GENERAL NOTES

THIS DRAWING SHALL BE READ IN CONJUNCTION WITH THE RELEVANT SPECIFICATIONS.

DO NOT SCALE FROM THIS DRAWING, USE ONLY FIGURED DIMENSIONS.

A DISTANCE OF 1 METRE FROM THE ROOF MEMBRANE MUST BE MAINTAINED WHEN BUILDING ANY INTERNAL STRUCTURES WITHIN THIS TENT, INCLUDING LIGHTING RIGS.

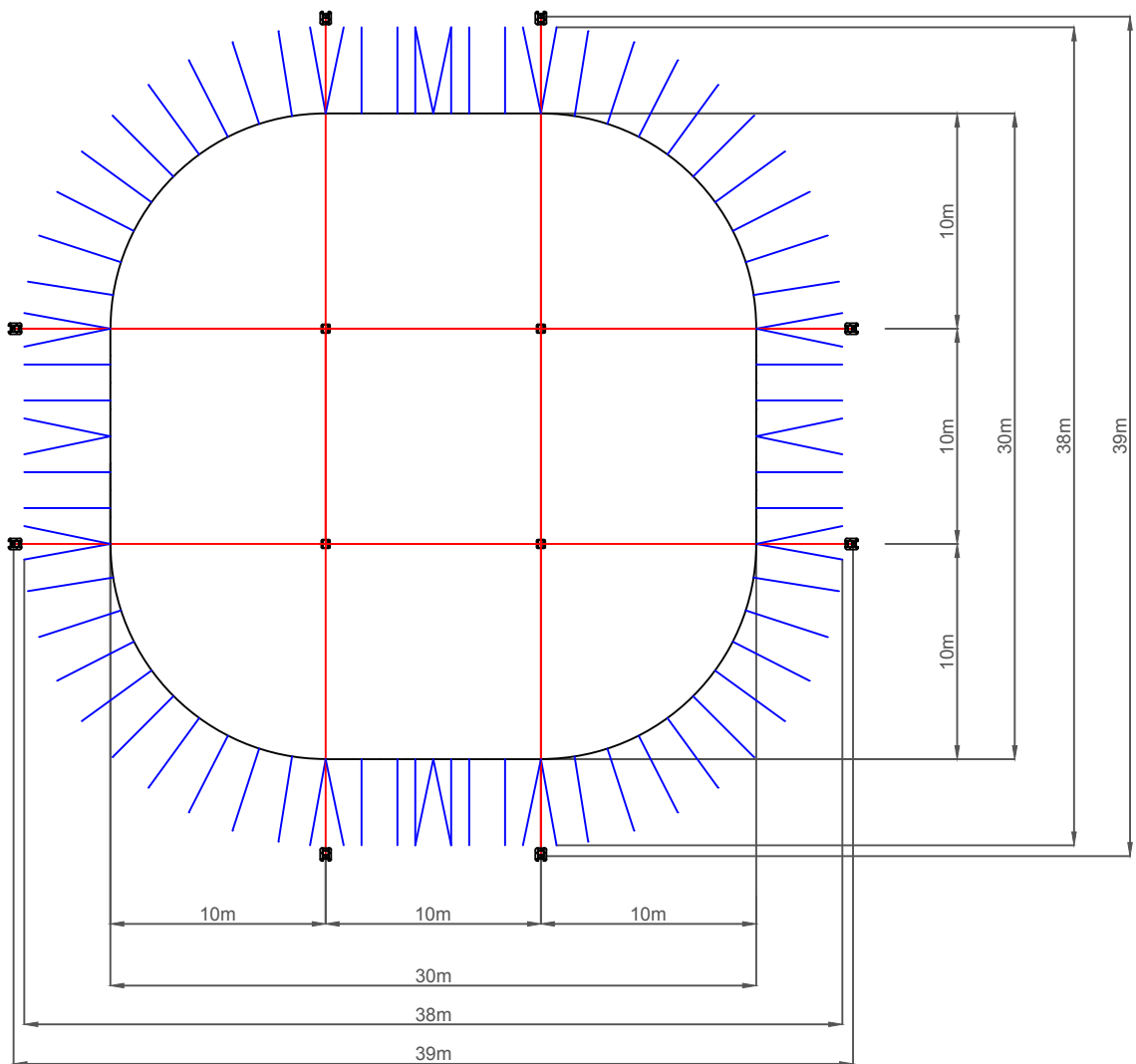
THIS DRAWING IS COPYRIGHT. ©

AJ Big Top Hire
America Farm Cottage
Oxney Road
Peterborough
PE1 5YR



JOB No.	SERIES	DRAWING No.	SHEET
3030	GA	001	1 of 6

NOTES



PLAN LAYOUT
(NTS)

AJ Big Top Hire

E-Mail: info@ajbigtophire.com
Web: www.ajbigtophire.com

Tel:
Fax:

01733 222 999
01733 222 997

GENERAL NOTES

THIS DRAWING SHALL BE READ IN CONJUNCTION WITH THE RELEVANT SPECIFICATIONS.

DO NOT SCALE FROM THIS DRAWING, USE ONLY FIGURED DIMENSIONS.

A DISTANCE OF 1 METRE FROM THE ROOF MEMBRANE MUST BE MAINTAINED WHEN BUILDING ANY INTERNAL STRUCTURES WITHIN THIS TENT, INCLUDING LIGHTING RIGS.

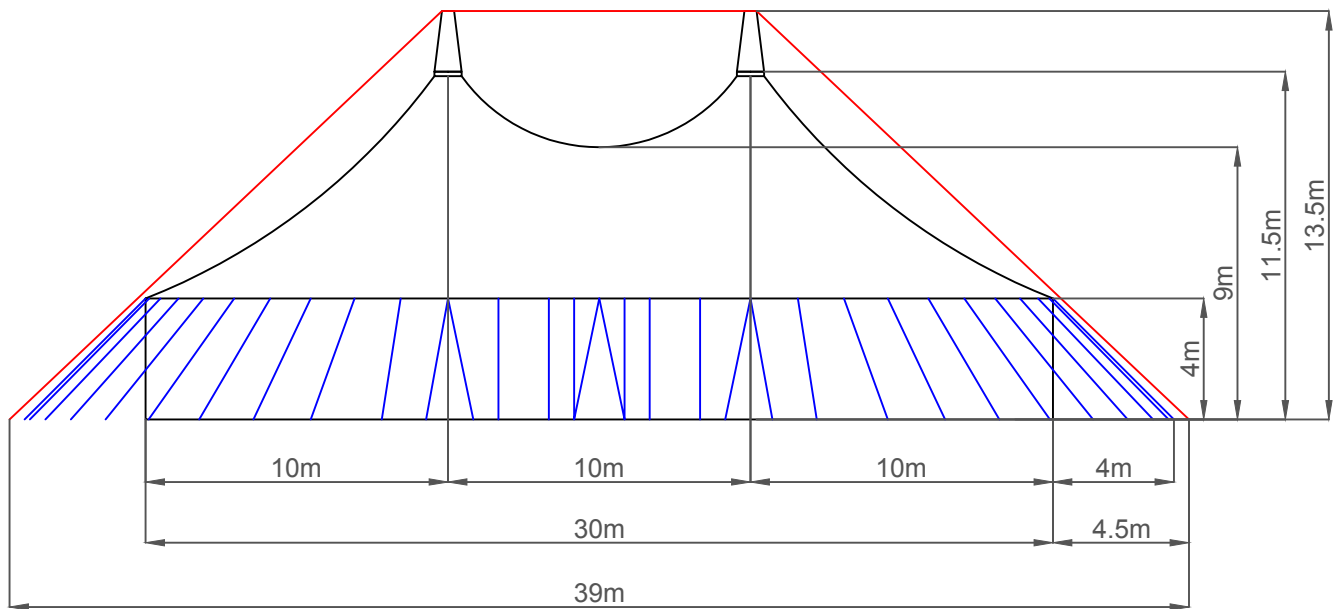
THIS DRAWING IS COPYRIGHT. ©

AJ Big Top Hire
America Farm Cottage
Oxney Road
Peterborough
PE1 5YR



JOB No.	SERIES	DRAWING No.	SHEET
3030	GA	001	2 of 6

NOTES



SIDE ELEVATION
(NTS)

AJ Big Top Hire

E-Mail: info@ajbigtophire.com
Web: www.ajbigtophire.com

Tel:
Fax:

01733 222 999
01733 222 997

GENERAL NOTES

THIS DRAWING SHALL BE READ IN CONJUNCTION WITH THE RELEVANT SPECIFICATIONS.

DO NOT SCALE FROM THIS DRAWING, USE ONLY FIGURED DIMENSIONS.

A DISTANCE OF 1 METRE FROM THE ROOF MEMBRANE MUST BE MAINTAINED WHEN BUILDING ANY INTERNAL STRUCTURES WITHIN THIS TENT, INCLUDING LIGHTING RIGS.

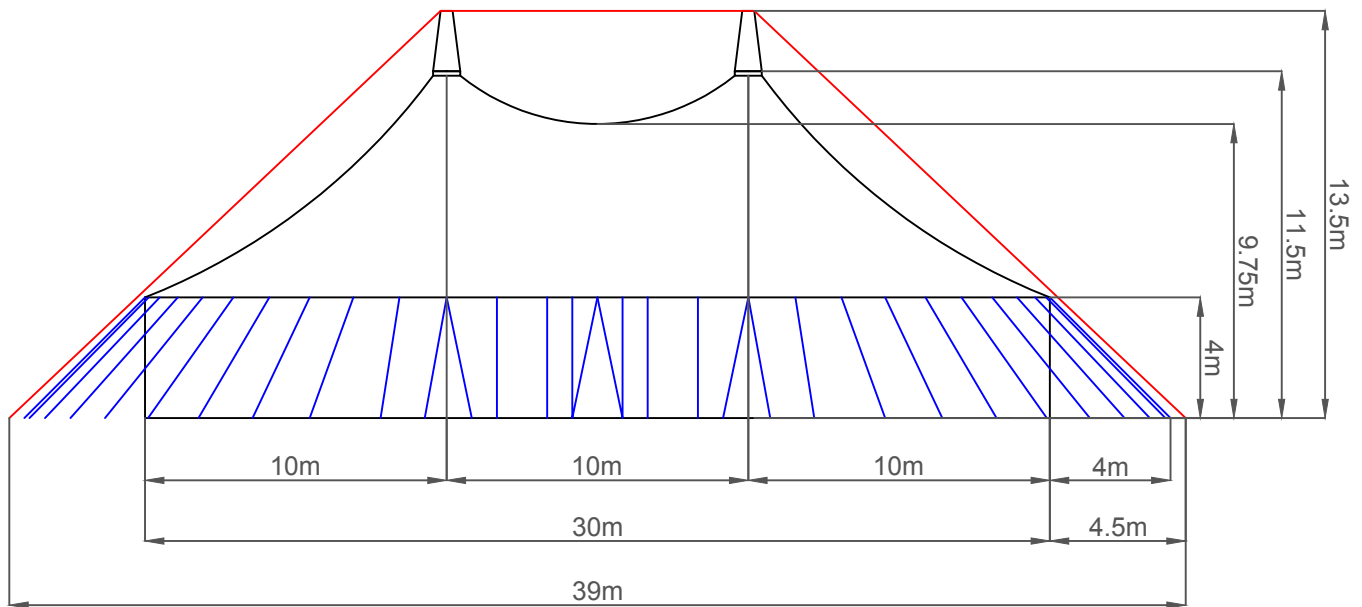
THIS DRAWING IS COPYRIGHT. ©

AJ Big Top Hire
 America Farm Cottage
 Oxney Road
 Peterborough
 PE1 5YR



JOB No.	SERIES	DRAWING No.	SHEET
3030	GA	001	3 of 6

NOTES



END ELEVATION
 (NTS)

AJ Big Top Hire

E-Mail: info@ajbigtophire.com
 Web: www.ajbigtophire.com

Tel:
 Fax:

01733 222 999
 01733 222 997

GENERAL NOTES

THIS DRAWING SHALL BE READ IN CONJUNCTION WITH THE RELEVANT SPECIFICATIONS.

DO NOT SCALE FROM THIS DRAWING, USE ONLY FIGURED DIMENSIONS.

A DISTANCE OF 1 METRE FROM THE ROOF MEMBRANE MUST BE MAINTAINED WHEN BUILDING ANY INTERNAL STRUCTURES WITHIN THIS TENT, INCLUDING LIGHTING RIGS.

THIS DRAWING IS COPYRIGHT. ©

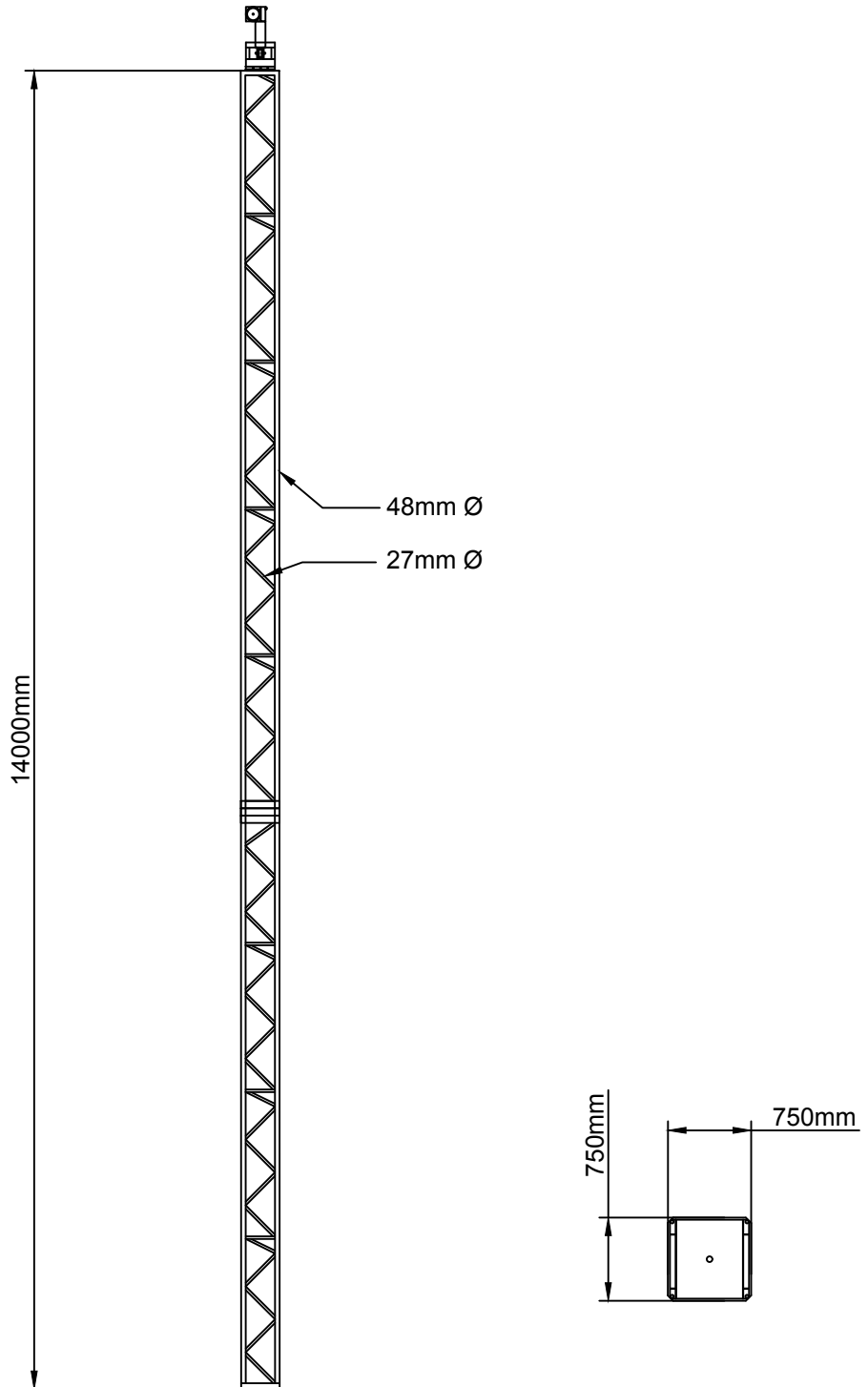
AJ Big Top Hire
 America Farm Cottage
 Oxney Road
 Peterborough
 PE1 5YR



JOB No.	SERIES	DRAWING No.	SHEET
3030	GA	001	4 of 6

NOTES

- KINGPOLE WEIGHT LIMIT TO BE CONFIRMED



SUPPORT POLE & BASE PLATE DETAILS
 (NTS)

AJ Big Top Hire

E-Mail: info@ajbigtophire.com Tel: 01733 222 999
 Web: www.ajbigtophire.com Fax: 01733 222 997

GENERAL NOTES

THIS DRAWING SHALL BE READ IN CONJUNCTION WITH THE RELEVANT SPECIFICATIONS.

DO NOT SCALE FROM THIS DRAWING, USE ONLY FIGURED DIMENSIONS.

A DISTANCE OF 1 METRE FROM THE ROOF MEMBRANE MUST BE MAINTAINED WHEN BUILDING ANY INTERNAL STRUCTURES WITHIN THIS TENT, INCLUDING LIGHTING RIGS.

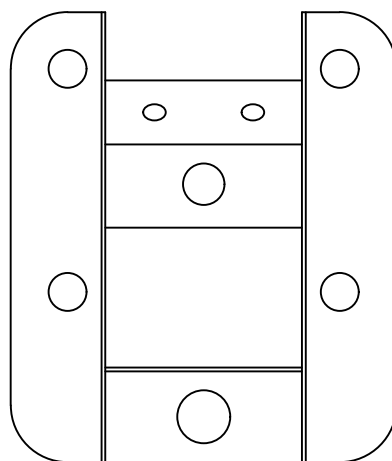
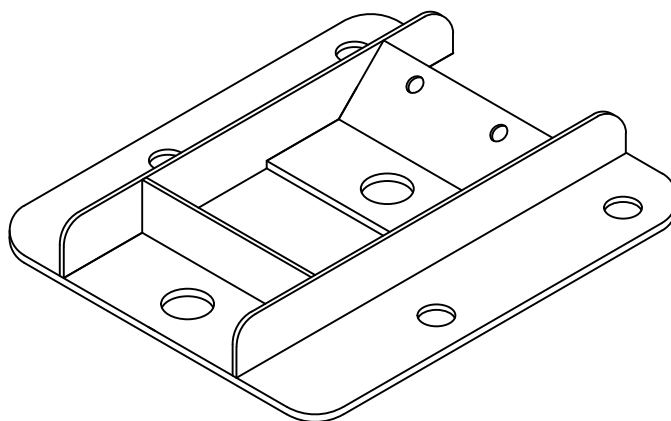
THIS DRAWING IS COPYRIGHT. ©

AJ Big Top Hire
America Farm Cottage
Oxney Road
Peterborough
PE1 5YR



JOB No.	SERIES	DRAWING No.	SHEET
3030	GA	001	5 of 6

NOTES



MAIN GUY WIRE BASE PLATE DETAILS
(NTS)

AJ Big Top Hire

E-Mail:
Web:

info@ajbigtophire.com
www.ajbigtophire.com

Tel:
Fax:

01733 222 999
01733 222 997

GENERAL NOTES

THIS DRAWING SHALL BE READ IN CONJUNCTION WITH THE RELEVANT SPECIFICATIONS.

DO NOT SCALE FROM THIS DRAWING, USE ONLY FIGURED DIMENSIONS.

A DISTANCE OF 1 METRE FROM THE ROOF MEMBRANE MUST BE MAINTAINED WHEN BUILDING ANY INTERNAL STRUCTURES WITHIN THIS TENT, INCLUDING LIGHTING RIGS.

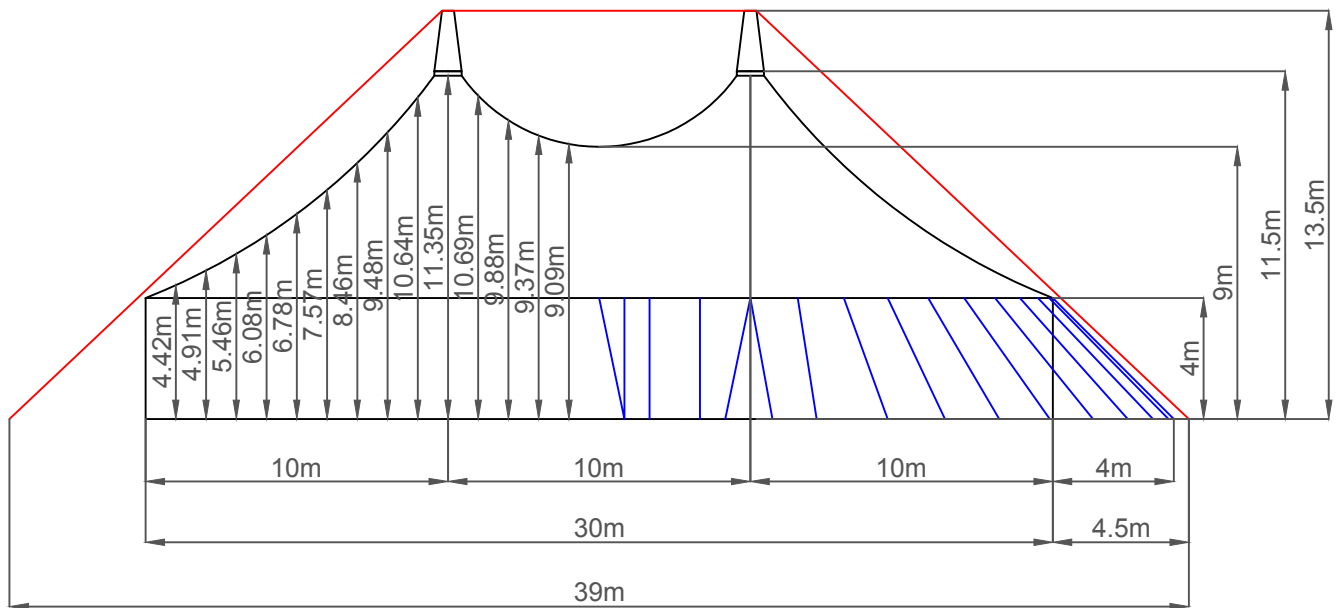
THIS DRAWING IS COPYRIGHT. ©

AJ Big Top Hire
 America Farm Cottage
 Oxney Road
 Peterborough
 PE1 5YR



JOB No.	SERIES	DRAWING No.	SHEET
2828	GA	001	5 of 6

NOTES



SIDE ELEVATION
(NTS)

AJ Big Top Hire

E-Mail: info@ajbigtophire.com
 Web: www.ajbigtophire.com

Tel:
 Fax:

01733 222 999
 01733 222 997